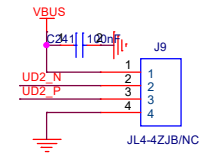
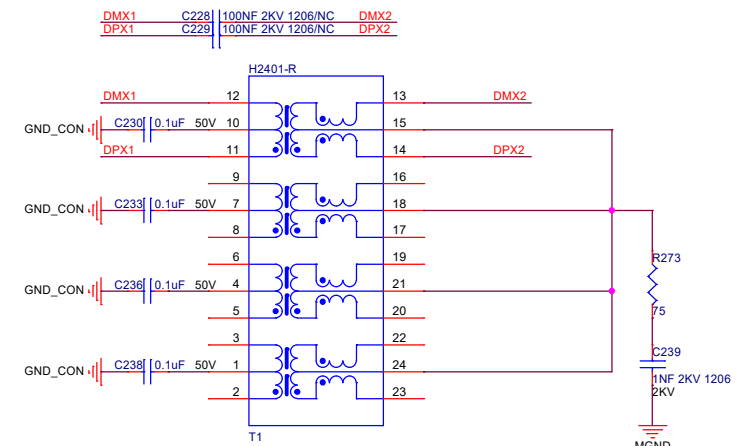
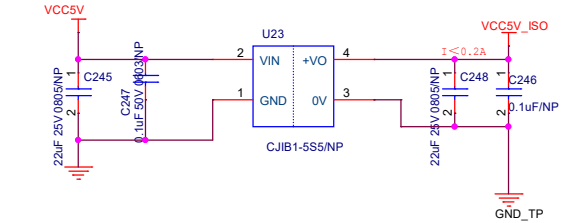
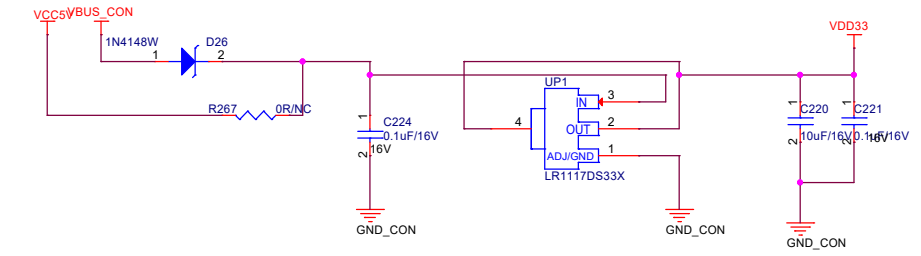
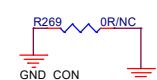
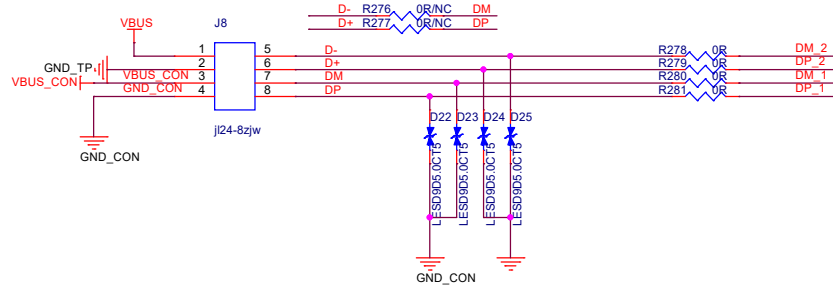


**J8:触摸屏**



Title		
<Title>		
Size	Document Number	Rev
A3	<Doc>	<RevCode>
Date:	Thursday, July 11, 2024	Sheet 15 of 15