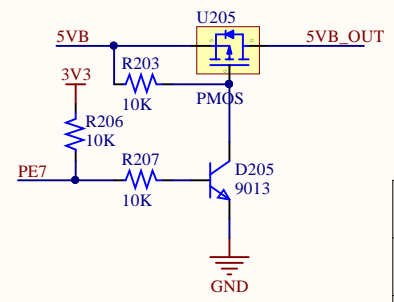
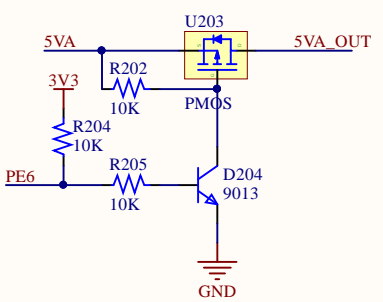
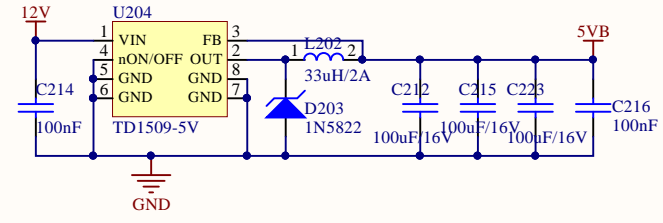
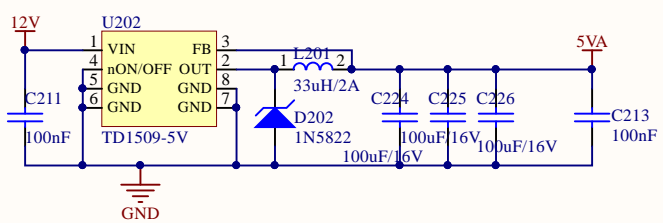
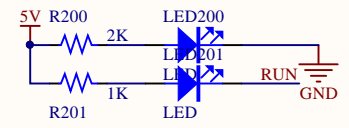


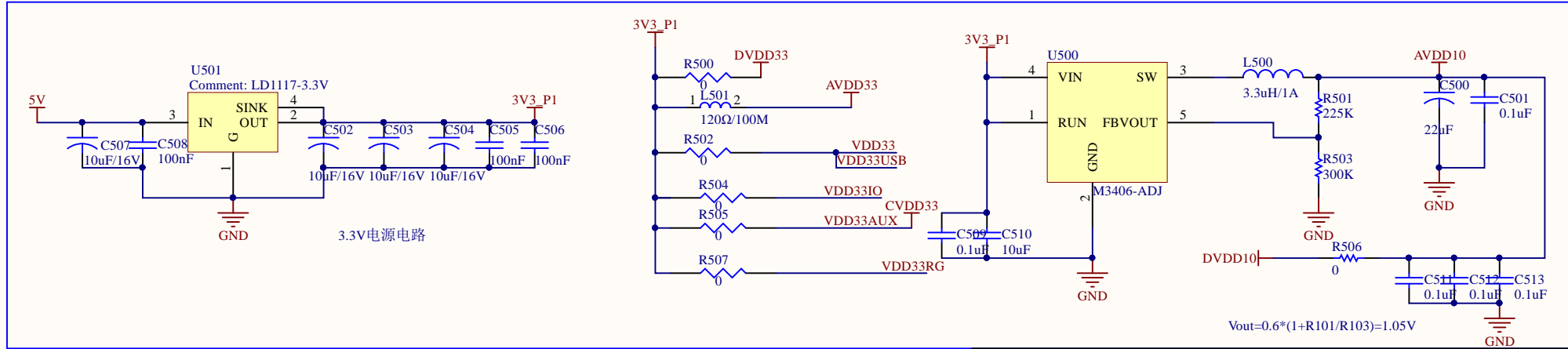
24V转5V电路



Title		
Size	Number	Revision
A4		
Date:	2023/12/5	Sheet of
File:	E:\CSWVIT\...\POWER_02.SchDoc	Drawn By:

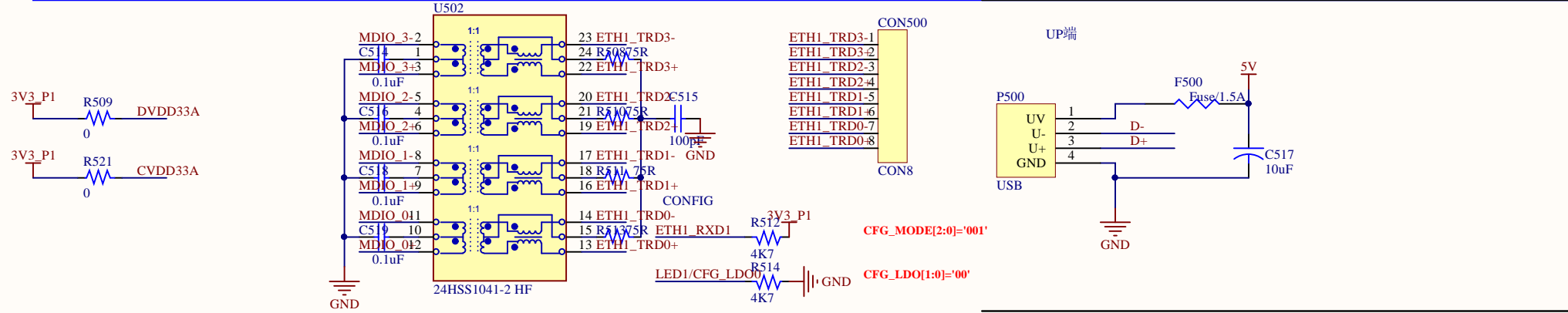
A

A



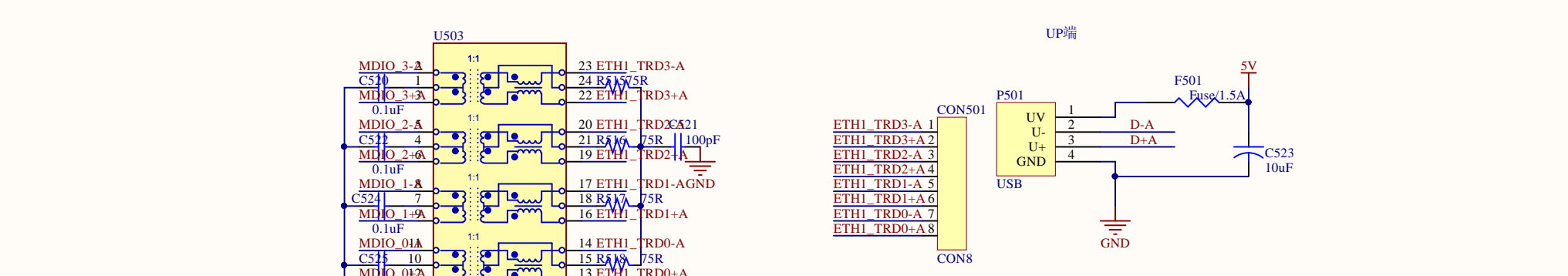
B

B



C

C



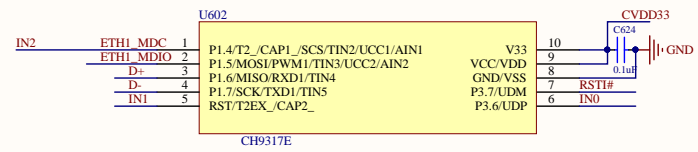
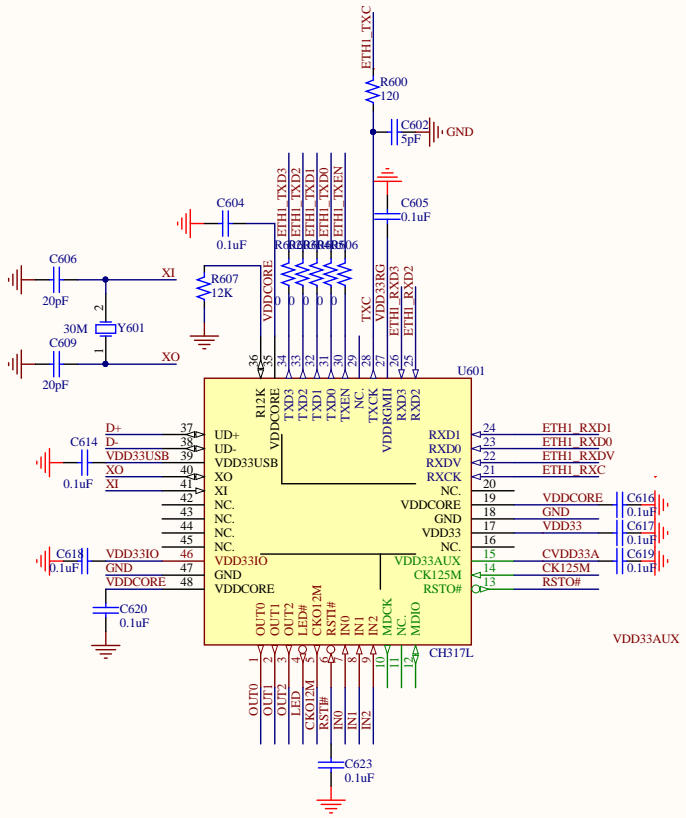
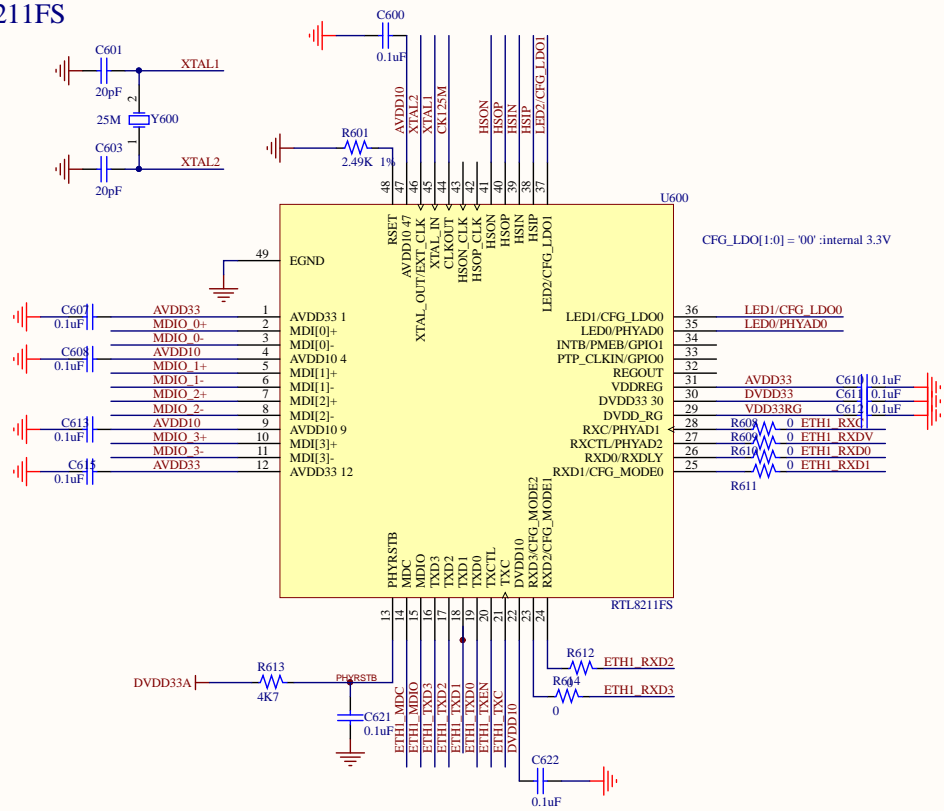
D

D

Title		
Size	Number	Revision
A4		
Date:	2023/12/5	Sheet of
File:	E:\CSWVIT\...\USB_SEND_05.SchDoc	Drawn By:

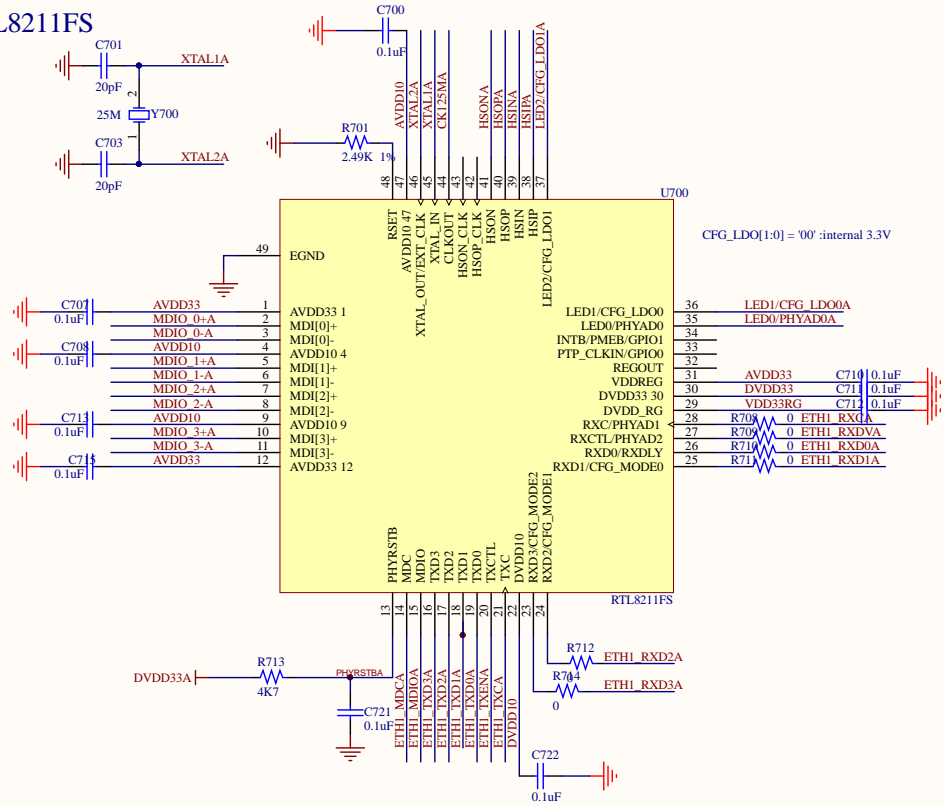
# RTL8211FS

CH317

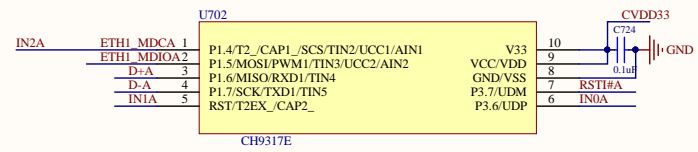
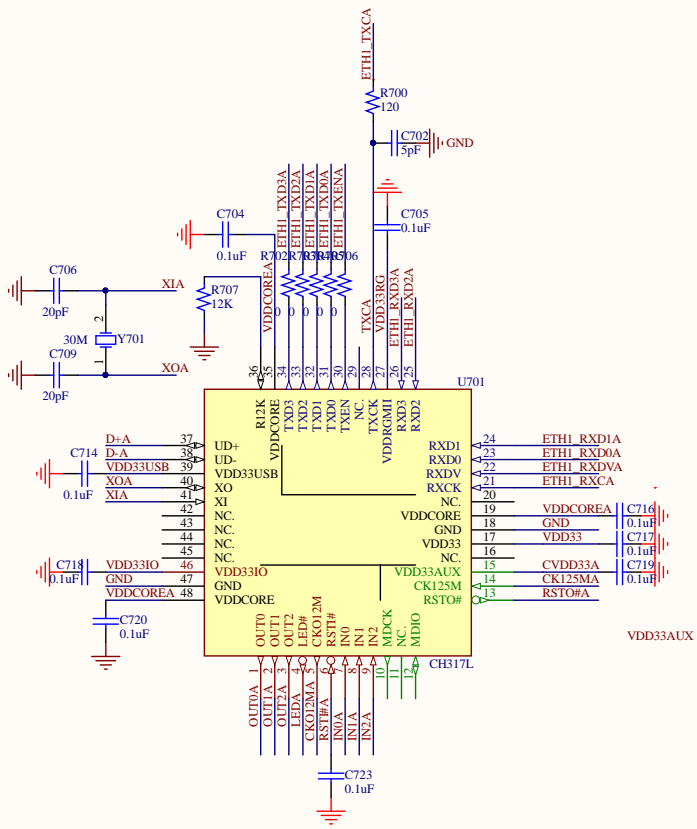


Title		Revision	
Size	A3	Number	
Date:	2023/12/5	Sheet	of
File:	E:\CSWVIT\USB_SEND_06.SchDoc	Drawn By:	

# RTL8211FS



CH317



Title		
Size	Number	Revision
A3		
Date:	2023/12/5	Sheet of
File:	E:\CSWVIT\USB_SEND2_07.SchDoc	Drawn By: