

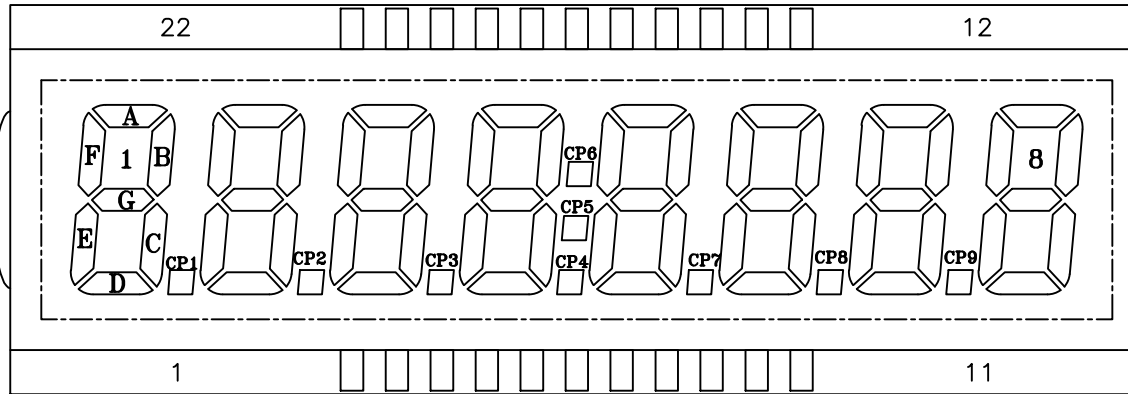
↑
VIEWING DIRECTION



大连奇耘电子有限公司
DALIAN QIYUN DISPLAY CO., LTD.

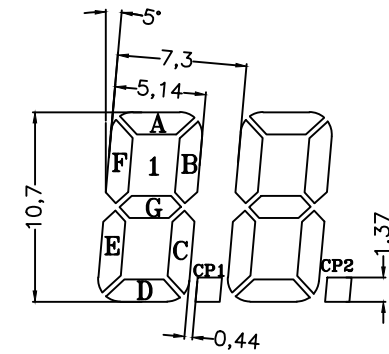
确认此型号所有图纸;签字确认:

DESIGNED BY: WCL	GDC0103T(P)-12	VERSION: 2.0	1. DISPLAY TYPE:	TN/POSITIVE	6. POLARIZER TYPE:	REFLECTIVE	VERSION	REVISION RECORD
		NO. 1 OF 4	2. OPERATING VOLTAGE:	3.3V	7. VIEWING DIRECTION:	6:00	1.0	初版
CHECKED BY: HQM		UNIT: mm	3. DRIVE MODE:	1/4D,1/3B	8. CONNECTOR:	PIN	2.0	1 1 版改管脚长度
		DATE: 2016-06-02	4. OPERATING TEMP:	-20°C~70°C	9. CUSTOMER NO:		3.0	
TOLERANCES UNLESS OTHERWISE SPECIFIED:±0.2			5. STORAGE TEMP:	-30°C~80°C	10. LCM NO:		4.0	



PIN	1	2	3	4	5	6	7	8	9	10	11
COM0			1F	1A	2F	2A	3F	3A	4F	4A	
COM1			1G	1B	2G	2B	3G	3B	4G	4B	
COM2	COM2		1E	1C	2E	2C	3E	3C	4E	4C	
COM3		COM3	1D	CP1	2D	CP2	3D	CP3	4D	CP4	

PIN	12	13	14	15	16	17	18	19	20	21	22
COM0	8A	8F	7A	7F	6A	6F	5A	5F	CP6	COM0	
COM1	8B	8G	7B	7G	6B	6G	5B	5G	CP5		COM1
COM2	8C	8E	7C	7E	6C	6E	5C	5E			
COM3		8D	CP9	7D	CP8	6D	CP7	5D			



大连奇耘电子有限公司
DALIAN QIYUN DISPLAY CO., LTD.

DESIGNED BY:

WCL

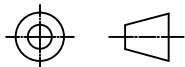
GDC0103T(P)-12

VERSION: 2.0

NO. 3 OF 4

CHECKED BY:

HQM

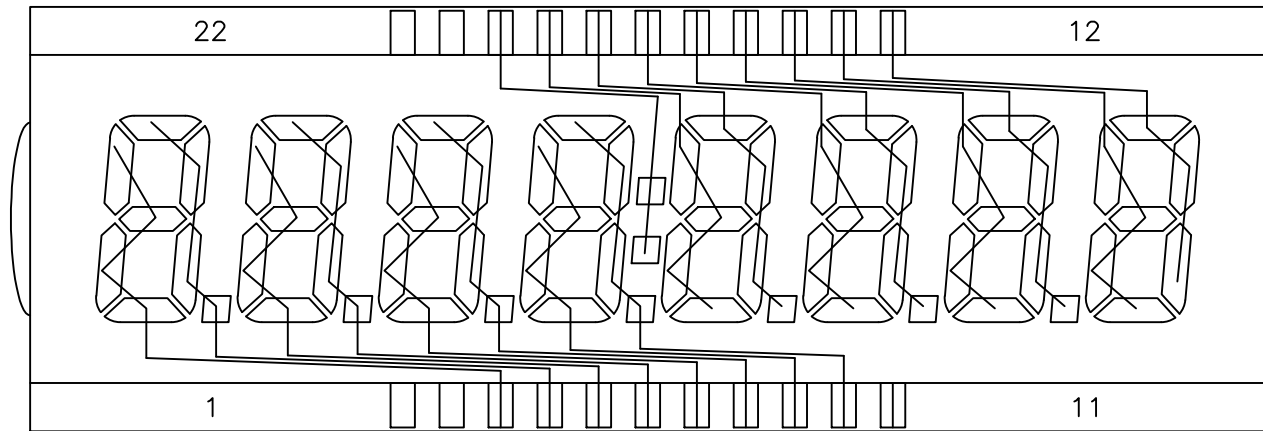


UNIT: mm

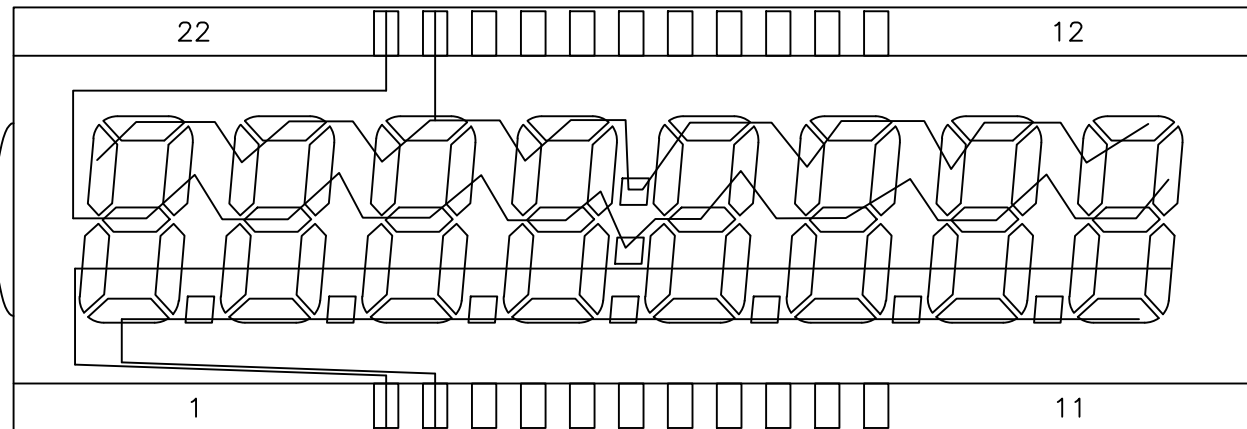
DATE: 2016-06-02

TOLERANCES UNLESS OTHERWISE SPECIFIED: ±0.2

SEG



COM



大连奇耘电子有限公司
DALIAN QIYUN DISPLAY CO., LTD.

DESIGNED BY:

WCL

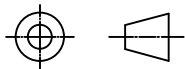
GDC0103T(P)-12

VERSION: 2.0

NO. 4 OF 4

CHECKED BY:

HQM



UNIT: mm

DATE: 2016-06-02

TOLERANCES UNLESS OTHERWISE SPECIFIED: ±0.2